

□□	□□ □□ □□ □□
□□	HDPE
□□	60□□□120□□□500□□
□□	□□ □□□□
OEM	□ □□ □ □□ □ □ □□ □ □□□









## our team



## our workshop



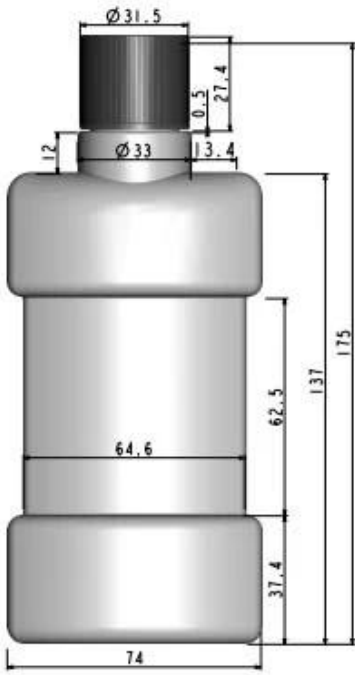
## our showcase



## Packaging









## ANNOUNCEMENTS BEFORE ORDER

### FOR ORDERS

1. We promise all mold cost is only for onetime, when you reorder, there is no extra cost, only for unit price.
2. We promise our lead time will be on time with our confirmed date with you.
3. We promise that each our mass production bottles will be same quality with our samples, or even higher quality.
4. We promise our after-sales teams will response to you within 3hours for your needs, such as destination port custom clearance, container pick up, or any goods feedback, we will not disappear when rest payment is finished.

### FOR SERVICE

1. We promise that all our sales will response to your email for 3hours.
2. We promise that all our sales will together with you for the whole project.
3. We promise that all our sales will be professional for technical skill to support you
4. If you satisfied with the sales, you can give bonus to her by Paypal.

Our bonus account is [betty@zhenghaoplastic.cn](mailto:betty@zhenghaoplastic.cn) , please mark your sales lady's name.

24hours Service Hotline: 86-13926576592





# PRODUCTS PROCEDURE



# LOGO PRINTING

SILK-SCREEN PRINTING



NORMAL LABEL



SHRINKLE WRAP LABEL



# Packaging & Shipping

## STANDARD PACKAGING

ONLY BTTLE



BOTTLE NEED TO FILLED



PROMTIONAL BOTTLE



WE ♥ LOGISTICS™



- 1
- 2
- 3
- 4
- 5
- 6
- 7
- 8
- 9
- 10

280g

