

Wholesale HDPE Square Plastic Chemical Bottle

Item	square plastic chemical bottle
Material	HDPE
Capacity	60ml,120ml,500ml
Application	for chemicals
OEM	the color of bottle and cap can be customized.

Product details









Company information

We are a plastic bottle manufacturer in China, specialized in plastic bottle, plastic jar and plastic container, we are an one of plastic bottle distributor in Shenzhen China.

our team



our workshop



our showcase



Packaging



Our Certificate

All of our bottles comply with FDA standards. Our factory have ISO and SGS factory audit.



Our severice

1, OEM & ODM design service:

We do custom designs orders, can free to help you make 3D file.
Custom design bottle to build your own brand/LOGO

2, Accept LOGO printing and label stick service:

We accept LOGO printing and label stick when client require to do LOGO printing and label stick.
Clients need to provide their LOGO or label design for us to check, and then we will quote to them.

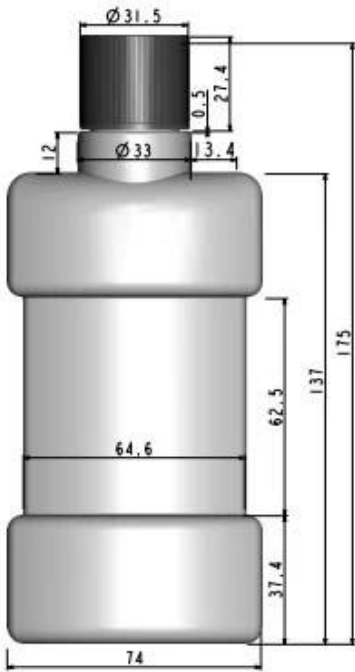
3, Free sample ervice:

For exsited design bottle sample, we provide free sample, client cover shipping cost.
For custom design bottle sample, we provide free sample without printing, client cover shipping cost. If need bottle to be printed, client need to pay for film cost

4, After-sale service:

Our sale member will follow up all feedbacks, once you get our samples or containers.
Sales member will pass your information to factory to get a solution for you.
We are positive to all your feedbacks.

Our design



Our credit guarantee



ANNOUNCEMENTS BEFORE ORDER

FOR ORDERS

1. We promise all mold cost is only for onetime, when you reorder, there is no extra cost, only for unit price.
2. We promise our lead time will be on time with our confirmed date with you.
3. We promise that each our mass production bottles will be same quality with our samples, or even higher quality.
4. We promise our after-sales teams will response to you within 3hours for your needs, such as destination port custom clearance, container pick up, or any goods feedback, we will not disappear when rest payment is finished.

FOR SERVICE

1. We promise that all our sales will response to your email for 3hours.
2. We promise that all our sales will together with you for the whole project.
3. We promise that all our sales will be professional for technical skill to support you
4. If you satisfied with the sales, you can give bonus to her by Paypal.

Our bonus account is betty@zhenghaoplastic.cn , please mark your sales lady's name.

24hours Service Hotline: 86-13926576592

Cooperative partner



Products procedure

PRODUCTS PROCEDURE



LOGO PRINTING

SILK-SCREEN PRINTING



NORMAL LABEL



SHRINKLE WRAP LABEL



Packaging & Shipping

STANDARD PACKAGING

ONLY BTTLE



BOTTLE NEED TO FILLED



PROMTIONAL BOTTLE



WE ♥ LOGISTICS™



How to make an order?

- 1, Send us an inquiry with your requirement.
 - 2, We will quote to you according to your requirement.
 - 3, If anything Ok for you, we will provide sample to you and you pay for the sample shipping cost by yourself.
- If the bottle is custom bottle, we need to received the mold cost first, and then do a mold. After the mold done, we will make some samples for you to check.
- 4, Sample approval.
 - 5, You place the order and make 40% deposit of our PI.
 - 6, After received the 40% deposit, we start production and inspect before shipment.
 - 7, Arrange shipment.
 - 8, We arrange necessary documents and send copy of these documents. We are also take some ptotos of the products to you.
 - 9, You effect balance payment.
 - 10, We send original documents or telex release the goods

Another [280g medicine plastic bottle](#) for your reference:

